

## ◆ Multilayer Ceramic Chip Capacitor

### ● Bulk Packing

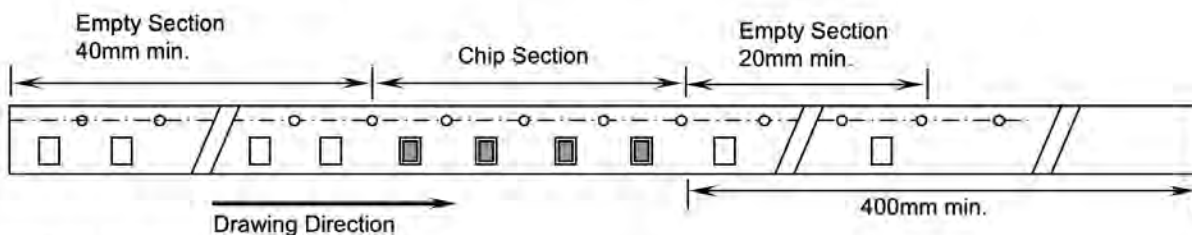
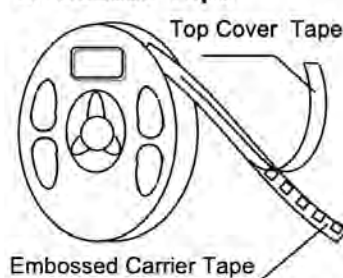
Standard packing 10Kpcs/pack, others according to customers' request.

### ● Tape Packing

#### Paper Tape



#### Embossed Tape

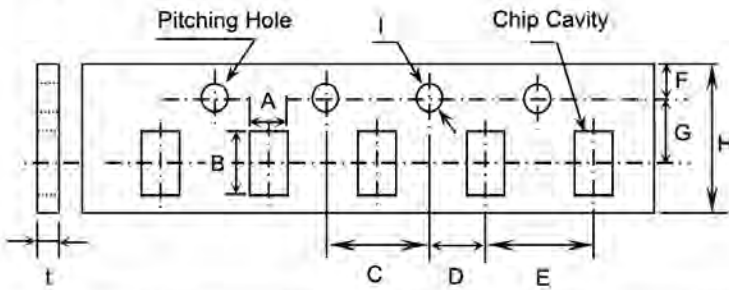


#### Material And Quantity (φ180mm)

Chip Size (EIA Code)	Dimension (mm)			φ180mm reel	
	L	W	T	Paper Tape	Plastic Tape
0201	0.6	0.3	T≤0.39	15,000 pcs/reel	N/A
0402	1	0.5	T≤0.70	10,000 pcs/reel	N/A
0603	1.6	0.8	T≤1.00	4,000 pcs/reel	N/A
0805	2	1.25	T≤1.00	4,000 pcs/reel	N/A
			T>1.00	N/A	3,000 pcs/reel
1206	3.2	1.6	T≤1.00	4,000 pcs/reel	N/A
			1.00<T≤1.25	N/A	3,000 pcs/reel
			T>1.25	N/A	2,000 pcs/reel
1210	3.2	2.5	T≤1.25	N/A	3,000 pcs/reel , 2,000 pcs/reel
			1.25<T≤2.40	N/A	2,000 pcs/reel , 1,000 pcs/reel
			T>2.40	N/A	500 pcs/reel , 1,000 pcs/reel
1808	4.6	2	T≤1.25	N/A	3,000 pcs/reel , 2,000 pcs/reel
			1.25<T≤2.40	N/A	2,000 pcs/reel , 1,000 pcs/reel
			T>2.40	N/A	500 pcs/reel , 1,000 pcs/reel
1812	4.6	3.2	T≤2.20	N/A	1,000 pcs/reel
			T>2.20	N/A	700 pcs/reel
1825	4.6	6.35	T≤2.20	N/A	700 pcs/reel
			T>2.20	N/A	400 pcs/reel
2208	5.7	2	T≤2.20	N/A	1,000 pcs/reel
2211	5.7	2.8	T≤2.20	N/A	1,000 pcs/reel
			T>2.20	N/A	700 pcs/reel
2220	5.7	5	T≤2.20	N/A	1,000 pcs/reel
			T>2.20	N/A	700 pcs/reel
2225	5.7	6.35	T≤2.20	N/A	700 pcs/reel
			T>2.20	N/A	400 pcs/reel

● Tape Dimensions and Specifications

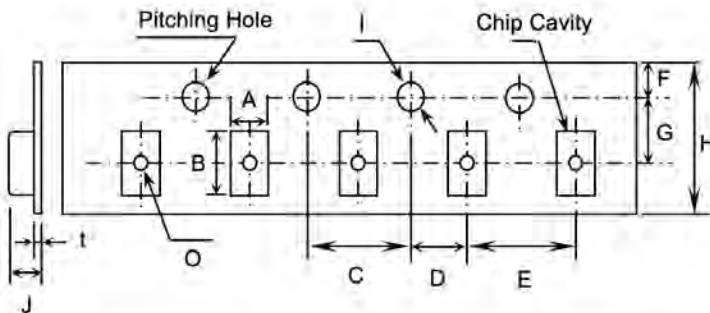
Paper Tape



	0201	0402	0603	0805	1206	1210
A	0.37±0.1	0.61±0.1	1.10±0.2	1.50±0.2	1.90±0.2	2.90±0.2
B	0.67±0.1	1.20±0.1	1.90±0.2	2.30±0.2	3.50±0.2	3.60±0.2
C	4.00±0.1	→				
D	2.0±0.05	→				
E	2.00±0.1	→	4.00±0.1	→		
F	1.75±0.1	→				
G	3.5±0.05	→				
H	8.00±0.3	→				
I	φ1.5±0.1/-0	→				
t	1.1 max.	→				

Unit : mm

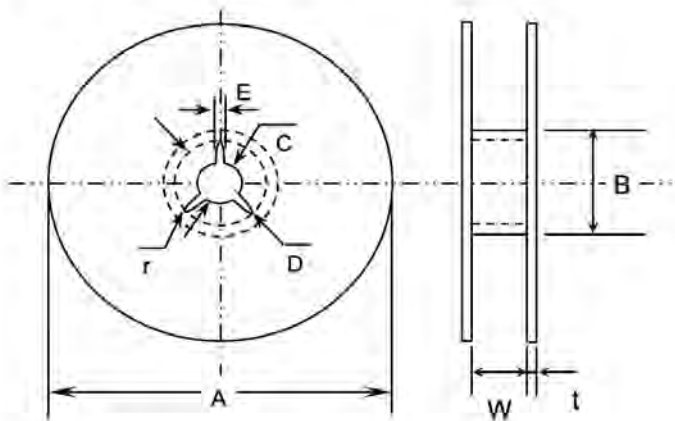
Embossed Tape



	0805	1206	1210	1808	2208	1812	1825	2211	2220	2225
A	1.5±0.2	1.9±0.2	2.9±0.2	2.5±0.2	2.5±0.2	3.6±0.2	6.9±0.2	3.2±0.2	5.4±0.2	6.9±0.2
B	2.3±0.2	3.5±0.2	3.6±0.2	4.9±0.2	6.1±0.2	4.9±0.2	4.9±0.2	6.1±0.2	6.1±0.2	6.1±0.2
C	4.0±0.1	→								
D	2.0±0.05	→								
E	4.0±0.1	→				8.0±0.1	→			
F	1.75±0.1	→								
G	3.5±0.05	→		5.5±0.05	→					
H	8.0±0.3	→		12.0±0.3	→					
I	φ1.5±0.1/-0	→								
J	3.0 max.	→		4.0 max.	→					
I	0.3 max.	→								
O	1.0±0.1	→		1.5±0.1	→					

Unit : mm

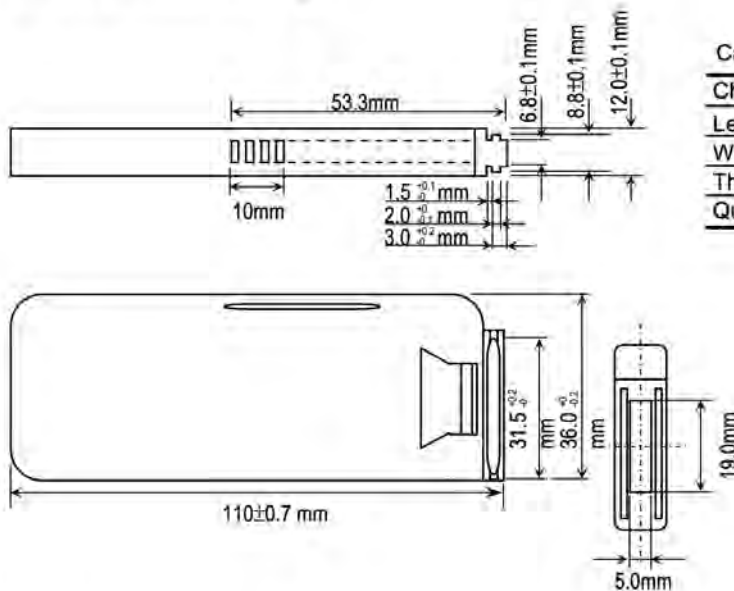
### Reel Dimensions



Unit : mm

	0402 to 1210	1808 to 2220
A	φ 382 max.	φ 178±2.0
B	φ 50 min.	φ 60±0.2
C	φ 13±0.5	φ 13±0.5
D	φ 21±0.8	φ 21±0.8
E	φ 2.0±0.5	φ 2.0±0.5
W	10±0.15	13±0.3
t	2.0±0.5	17±1.4
r	1.0	1.0

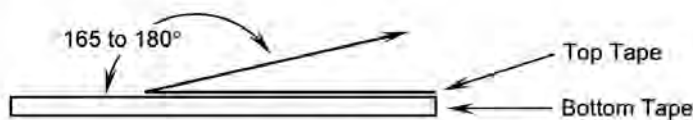
### Bulk Cassette Packing



Unit : mm

Cassette Packing	0402	0603	2012
Chip Size	0402	0603	2012
Length	1.00±0.05	1.60±0.10	2.00±0.20
Width	0.50±0.05	0.80±0.10	1.25±0.20
Thickness	0.50±0.05	0.80±0.10	0.60±0.10
Quantity	50,000pcs	15,000pcs	10,000pcs

### ● Cover Tape Peel Force



The peel force of cover tape is 5 to 70 grams in the direction of arrow.